

# QUE LOGIC

2D+3D CAPABILITY  
FILE CONVERSION  
BATCH PRINTING  
STAMPING  
DIGITAL SIGNATURE  
SUPPORTS MBD  
PLATFORM

**queLogic** software is the ultimate high efficiency compliance and communications tool. Whether adding permanent data to a file, approving documentation for downstream processes, converting files to more portable versions or sending your project to print for distribution, QUE is for YOU.

**queLogic** simplifies administrative tasks so that you can focus on what matters. Strategy. Quality. Customer satisfaction. Those things that move a project to market.

#### Simple to use

- Any environment
- Out-of-the-box integration with a wide variety of software
- Point-and-click interface

#### Printing

- Print individual or batch
- Print via multiple methods
- Zip original documents

#### Standard features

- Convert any file type
- PDF/A formats
- OCR files
- Regulatory compliance tool
- Multi-document merging
- Dynamic stamping

#### Additional options

- CL 3D to support MBD approach
- Digital signature with certificate management
- Native file refresh
- BOM management application



# QUE LOGIC

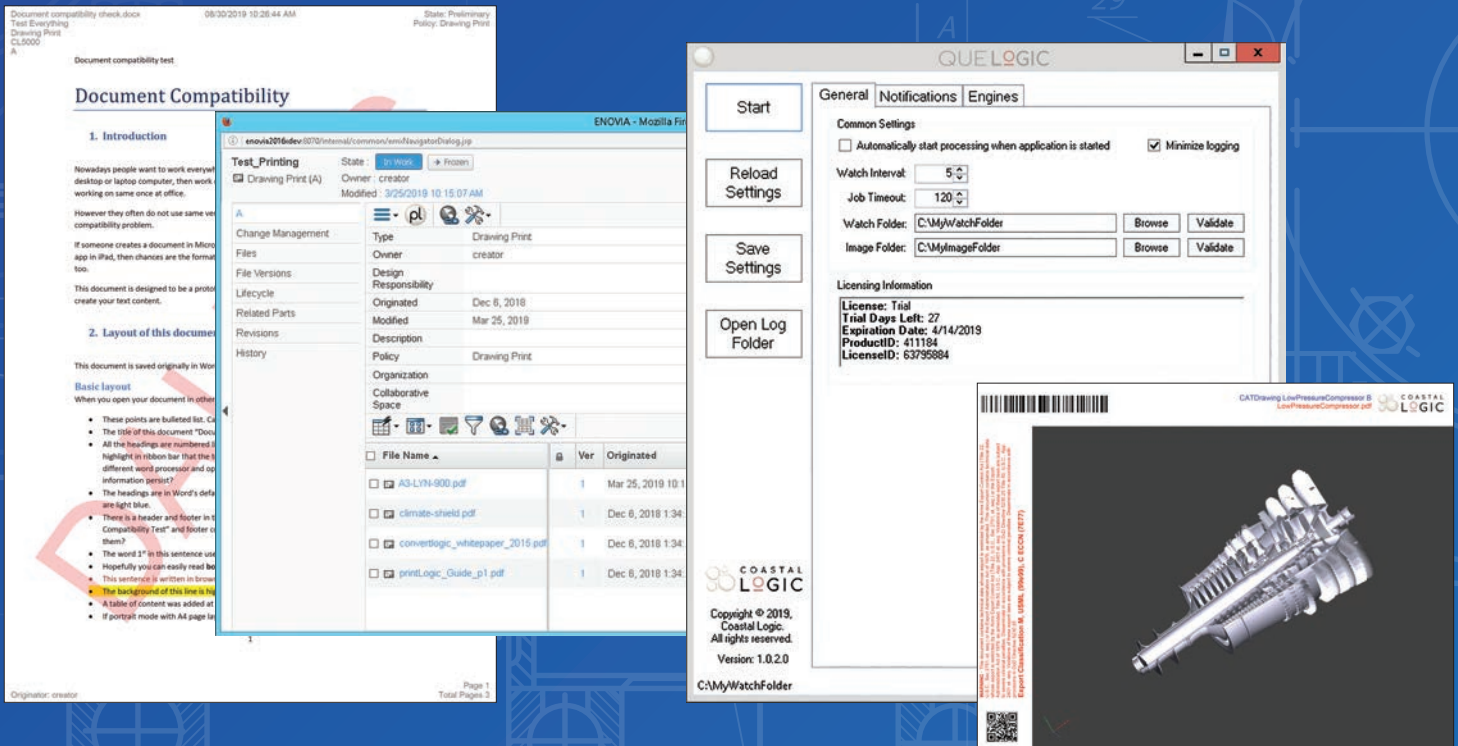
2D+3D CAPABILITY  
FILE CONVERSION  
BATCH PRINTING  
STAMPING  
DIGITAL SIGNATURE  
SUPPORTS MBD  
PLATFORM

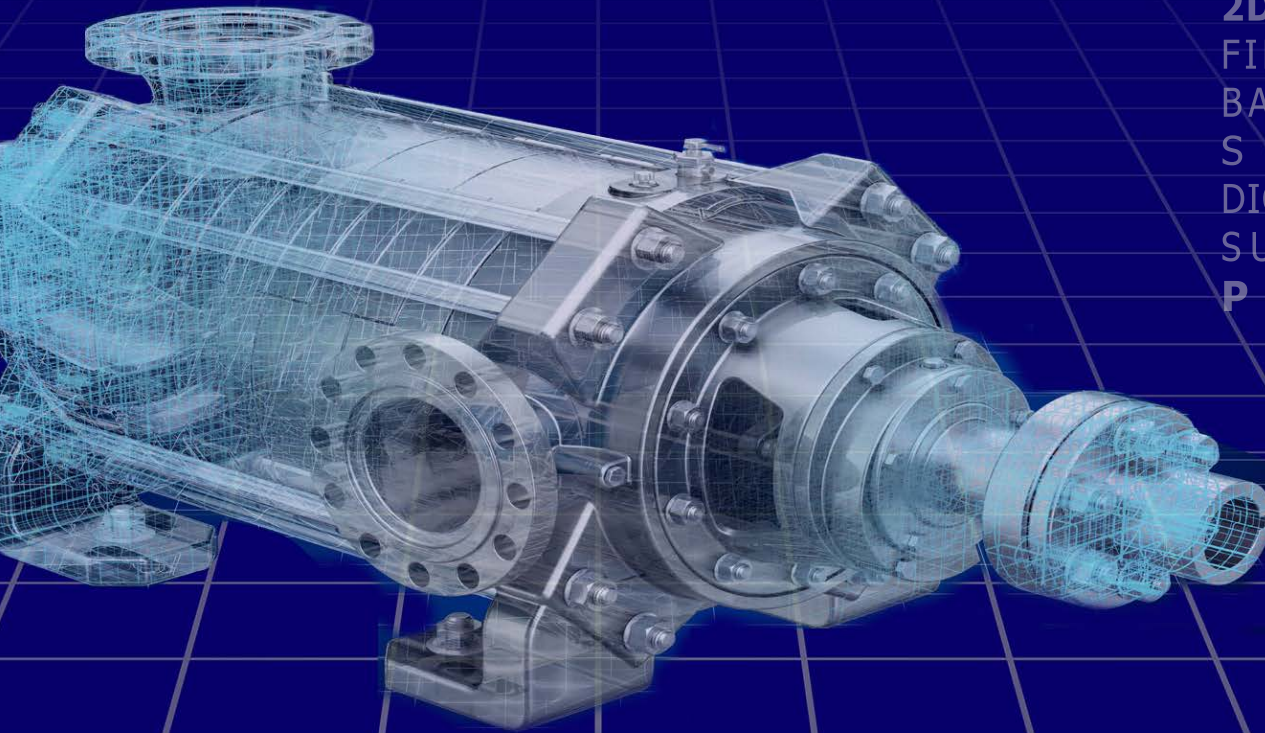
## QUE is for YOU

**queLogic** is everything you need, when you need it: Printing, file conversion, immutable data stamping to any file, even digital signatures with certificate management. It's a powerful multi-tool that moves projects through reviews, approvals, and production with speed, ease and ultimate accuracy.

**queLogic** not only connects you to every stage of product development, but helps track and support products through customer experience by tying immutable data linked to libraries of information.

**queLogic** empowers creators.





## Move your best ideas —everywhere

**queLogic** is everything you need to go from dreaming to doing.

It's easy to get started and intuitive to use.

### What's your file type?

Print hundreds of file types directly from your database without ever leaving **queLogic**. Large or short runs. Point-click-print. Done. All without opening the native application.

### It just works

Set your preferences and you're ready to print. No programming. No code. **queLogic** works in any environment.



Software Partner  
V5 ADOPTER



Software Partner  
V6 MEMBER

### BOM management application

Our user-friendly, no programming experience required BOM application provides a framework to ensure consistency while reducing costs with quick and effective inventory management.

### CL 3D

Access detailed MBD data at any part of the process to facilitate rapid and seamless delivery. CL 3D collects product structure, PMI, and GD&T from your PLM/PDM and converts flawlessly to support downstream collaboration. Time-to-production is realized 40 percent sooner—achieved through higher quality—reducing errors and re-work.

### Native file refresh

Giving time back to your engineers is priceless, reducing errors due to manual entries is critical, our automation tool designed to update custom tables within the native CAD files, including title blocks, and revision tables, will give your engineers back hours a day. Automating a manual process and mitigating error prone entries.



With queLogic,  
anything is possible

**queLogic** is a one-stop platform that processes files through the appropriate engine —automatically— to generate the desired format for output.

#### **Digital signature with certificate management**

Having the right approvals, at the right time, in the right sequence, are pivotal to an organizations self-preservation. Put a guarantee on your designs by ensuring their authenticity. Discover our centralized platform that allows you to manage, deploy, and monitor your organizations certificates intuitively and effectively.

#### **Metadata without limits, stamping your way**

Add virtually any data or file as a permanent meta stamp to your document. Customizable data stamping with client-side administrative formatting is available.

#### **Enterprise-wide**

A simple, yet powerful, architecture supports your entire enterprise, no matter its structure. Link sites worldwide and process documents by consistent or variable parameters.